

CHAMBERLAIN®

LiftMaster®

Model 373P 315MHz Security+® 3-Button Remote Control with Proximity Lighting Feature

OWNER'S MANUAL

For use with 315MHz Security+® garage door openers and universal receivers that have a purple "learn" button and 315MHz gate receivers.

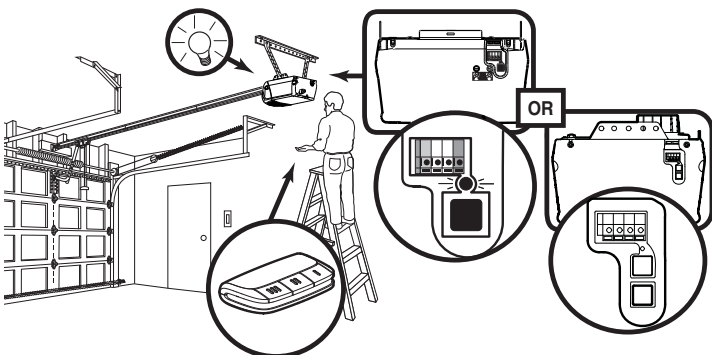
NOTE: To activate the remote control functions, pull out the plastic pull tab protruding from the remote control housing.

This remote control is equipped with a proximity lighting feature. When moving a hand within close proximity to the remote control, the LED lights turn on for 3 seconds. Upon successful activation of a remote control button, the LED lights will blink rapidly.

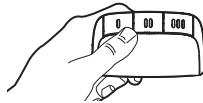
Proximity Disable Feature

The remote control will turn off the proximity lighting feature if the proximity lighting is turned on 10 consecutive times without activation of a button. To re-enable the proximity lighting, simply press a button. This function conserves battery life.

To Add or Reprogram the Remote Control



1. Press and release the "learn" button on the motor unit. The learn indicator light will glow steadily for 30 seconds.
2. Within 30 seconds, press and hold the button on the hand-held remote.
3. Release the button when the motor unit light blinks. It has learned the code. If light bulbs are not installed, two clicks will be heard.



To Erase All Codes From Motor Unit Memory

To deactivate any unwanted remote, first erase all codes:

Press and hold the "learn" button on motor unit until the learn indicator light goes out (approximately 6 seconds). All previous codes are now erased. Reprogram each remote or keyless entry you wish to use.



⚠ WARNING

To prevent possible SERIOUS INJURY or DEATH from a moving gate or garage door:

- ALWAYS keep remote controls out of reach of children. NEVER permit children to operate or play with remote control transmitters.
- Activate gate or door ONLY when it can be seen clearly, is properly adjusted and there are no obstructions to door travel.
- ALWAYS keep gate or garage door in sight until completely closed. NEVER permit anyone to cross path of moving gate or door.

To Control the Opener Lights

NOTE: Feature only available on openers equipped with a multi-function control panel.

With 315MHz Security+® remote controls, a remote push button can be programmed to operate the opener lights without opening the door.

1. With the door closed, press and hold the remote button that you want to control the light.
2. Press and hold the Light button on the multi-function control panel.
3. Press and hold the Lock button on the multi-function control panel.
4. After the opener lights flash, release all buttons.

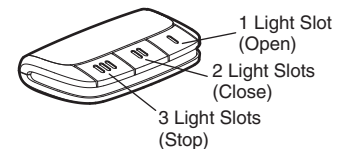
Test by pressing the remote push button. The opener lights should turn on or off but the door should not move.

Open/Close/Stop Operation

NOTE: Feature only available on openers equipped with a multi-function control panel.

Your 315MHz Security+® remote control can be programmed to operate one door using all 3 buttons: the button with one light slot will only open the door, the button with two light slots will close the door, and the button with three light slots will stop the door's movement. You may set up this feature as follows:

1. With the door closed, press and hold the button with one light slot.
2. Press and hold the Lock button on the multi-function control panel.
3. Press and hold the main door control push button.



When the opener lights flash, release all buttons. Test by pressing the 1 light slot button (*Open*) on the remote. The door should open. Press it again while the door is open and nothing should happen. Press the 2 light slot button (*Close*) while the door is moving and it should close. Press the 3 light slot button (*Stop*) and the door should stop immediately.

The Remote Control Batteries

⚠ WARNING

To prevent possible SERIOUS INJURY or DEATH:

- NEVER allow small children near batteries.
- If battery is swallowed, immediately notify doctor.

The 3V2016 lithium batteries for the opener and LED lights (marked "LED and Opener Battery") should last 5 years. The 3V2450 lithium battery for the proximity lighting (marked "Proximity Battery") should last 1-2 years.

⚠ WARNING

To reduce risk of fire, explosion or chemical burn:

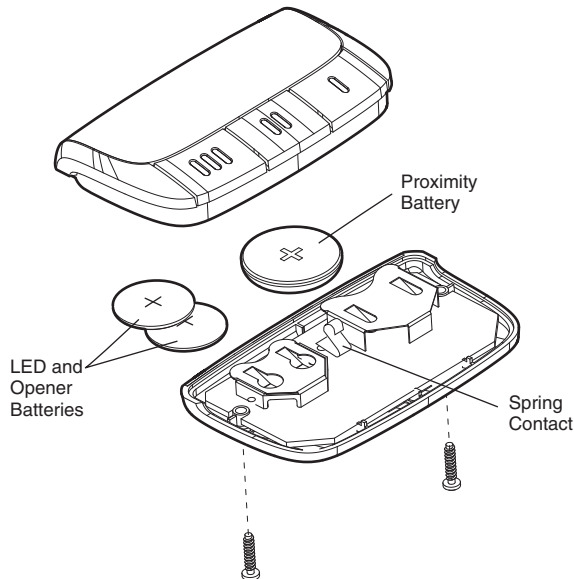
- Replace ONLY with 3V2016 or 3V2450 coin batteries.
- Do NOT recharge, disassemble, heat above 212°F (100°C) or incinerate.

To replace the batteries, remove the two screws and open the remote control housing. Push the battery out of the holder for removal. Insert replacement batteries positive side up (+).

Dispose of old batteries properly.

Replace the batteries with only 3V2016 or 3V2450 coin cell batteries.

CAUTION: Do not bend spring contact. If bent, the proximity sensor will not work.



NOTICE: To comply with FCC and/or Industry Canada (IC) rules, adjustment or modifications of this receiver and/or transmitter are prohibited, except for changing the code setting or replacing the battery. THERE ARE NO OTHER USER SERVICEABLE PARTS.

Tested to Comply with FCC Standards FOR HOME OR OFFICE USE. Operation is subject to the following two conditions: (1) this device may not cause harmful interference, and (2) this device must accept any interference received, including interference that may cause undesired operation.

Troubleshooting

PROBLEM	SOLUTION
Reduced proximity sensing (does not activate by touching top of remote control)	Check if proximity lighting is disabled by pressing a button.
	The Proximity Sensor may be oversensitized. Sit remote control undisturbed for 60 seconds on a non-metallic surface. This allows the sensor to recalibrate itself.
	Replace 3V2450 battery with same type 3V2450 coin cell.
Dim LED lights	Replace two 3V2016 batteries with same type 3V2016 coin cells.
No rapid LED blinking after pressing a button	Replace two 3V2016 batteries with same type 3V2016 coin cells.

Replacement Parts

PART NO.	DESCRIPTION	QTY
10A19	3V2016 Lithium Battery: LED and Opener	2
10A33	3V2450 Lithium Battery: Proximity Switch	1
29C151	Visor Clip	1

**FOR SERVICE, DIAL OUR TOLL FREE NUMBER:
1-800-528-9131**